

SING-TAO

SAMPLING VALVE

Sterile, Aseptic and Sanitary Valves



www.sing-tao.com.cn

SING-TAO

Initiated by Dr. Dave Schmidt, a valve control expert, the innovation team is formed by the industry elites from Germany, Belgium and Hungary to jointly explore the wonderful pleasure of fluid control technology. We have successively established production factories in Malaysia and Indonesia, where there are rich mineral resources. With the help of Singapore's mature international trade market position, we have established a supply system integrating research and development, casting, processing and marketing.

We prefer to provide fluid control valves made of stainless steel and corrosion-resistant materials for applications in drinks, drugs and electronic semiconductor fields, including electric, pneumatic and manual valves: Steam drain valve, diaphragm valve, spherical valve, flap valve, mix-proof valve, check valve, angle stop valve, pipeline pressure maintaining valve, etc. We have full-time research and development engineers who conduct continuous improvement to every valve type, so that the products can better match the process requirements.

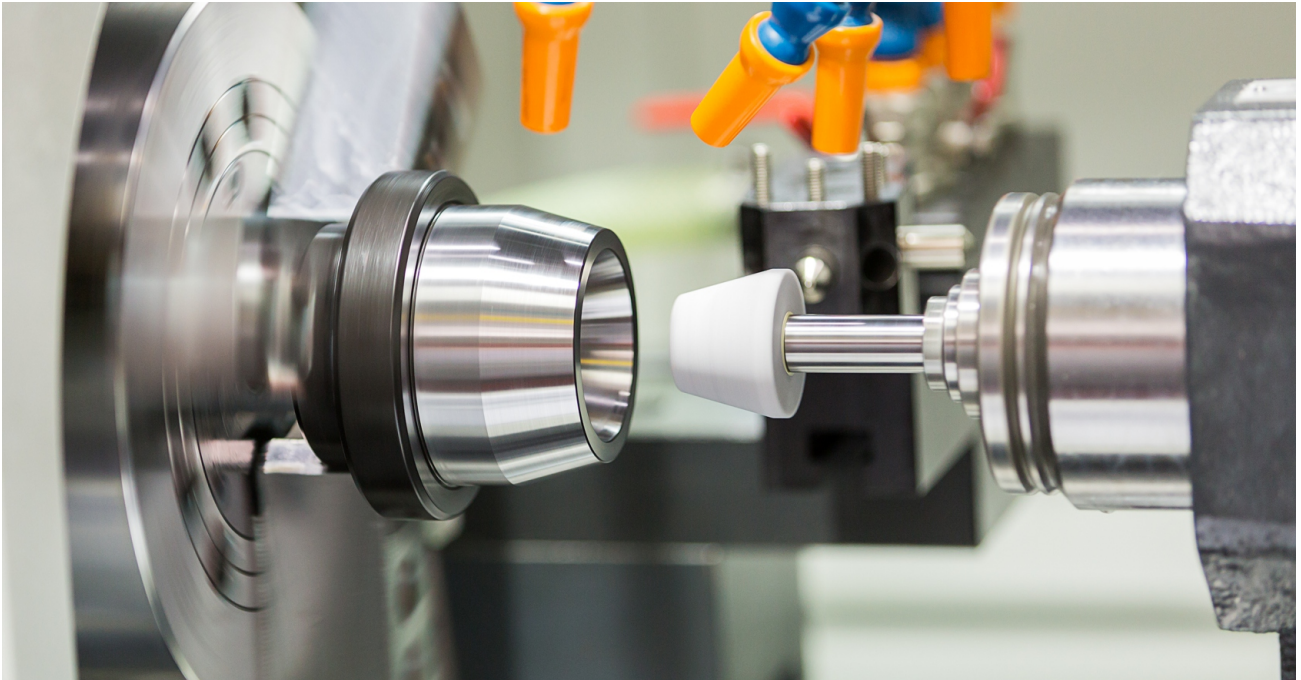
We always ensure that our products meet international industry standards and professional guidelines in quality control and best practices, including 3A, ASME BPE, FDA and SGS. Thanks to our continued commitment to product quality, we have been actively involved in EHEDG and FPSA, who have helped us become a leading valve supplier in the fluid control industry with their knowledge. For example: In order to reduce the risk of microbial contamination, we defined the structure and connection form of diaphragm valves used for cross-materials. The large flux check valve and plunger sterile tank bottom valve, etc. are designed ingeniously, becoming the industry leader.

Taking the Free Trade Agreement Upgrade Protocol signed between Singapore and China as the opportunity, we received the invitation to officially set up China's first "SING-TAO" valve representative office in the Singapore Industrial Park in Suzhou, China in 2022, to serve the Chinese market as the world's second largest economy, which will be the most important milestone in promoting the brand globalization of "SING-TAO" valve.



ENTERPRISE VISION

Let the experience exceed expectations



TRACEABILITY OF PRODUCTS

Each SING-TAO product is labeled with the brand name, material, dimension and traceable product number. Such information and customer purchase records are well documented and tracked in our system.

SAMPLING VALVE



Three-way sampling valve



Two-way sampling valve

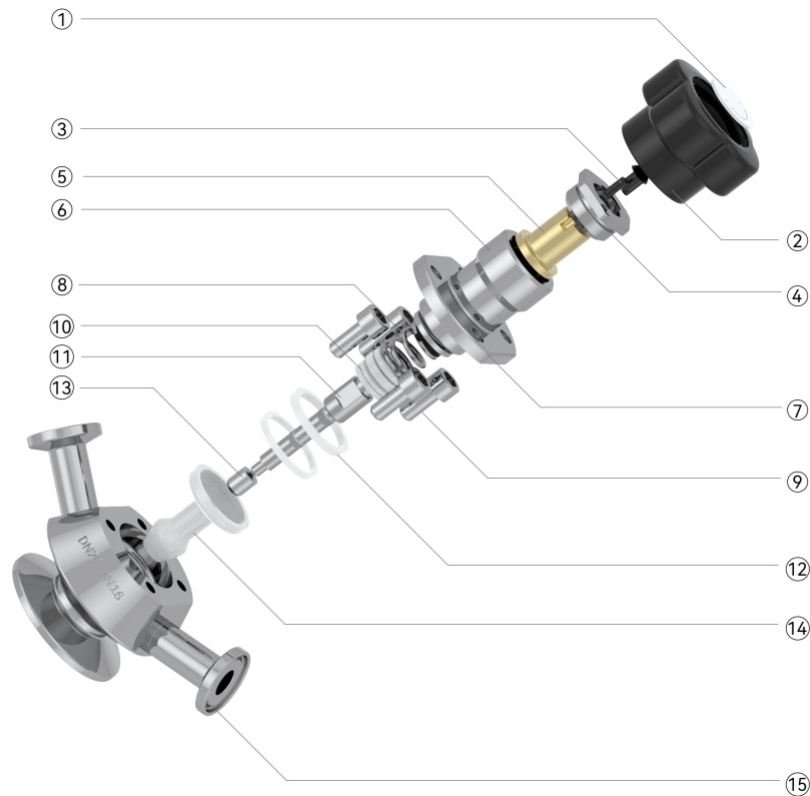
Sterile sampling valves with fully zero dead angle can achieve a disassembled CIP and SIP before and after each sampling, which is applied to: biomedicine and other industries.

- No dead angles and thorough sterilization.
- Materials are sealed directly by the diaphragm.
- Secondary pollution can be eliminated, and it is applicable to both bulk sampling and micro-sampling.
- Steam can be used for in situ disinfection.
- The sample is typical with good repeatability.

Sampling caliber: DN6-DN15 (1/8" -1/2")	Seat material: PTFE
Working temperature: -10°C-130°C	Body material: 304/316L
Pressure rating: 10bar	Interface form: Welding, clamping and pagoda
Drive mode: Manual	Standard: Comply with DIN, ASME, BPE standard and 3A, CE certification

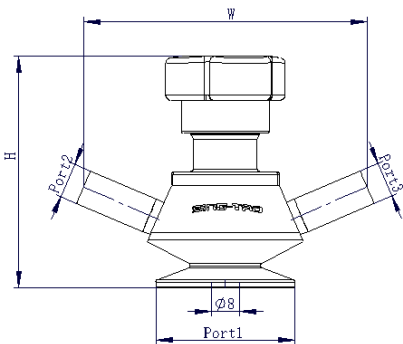
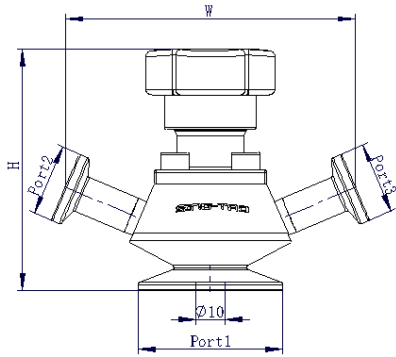
- Completely drained for side mounting
- Internal structure with no dead area and no residue design
- Compact design and easy operation
- Resistant to high temperature and autoclaved sterilization
- Applicable to CIP and SIP

No.	Description	Material (EN)
1	Nameplate	PE
2	Handwheel	Nylon
3	Screw	A193 B8/8M
4	Stem nut pressure sleeve	304/316L
5	Stem nut	304/316L
6	Valve cover	304/316L
7	Pressure sleeve	304/316L
8	Spring	304
9	Bolt	A193 B8
10	Gland packing	PTEF
11	Valve rod	304/316L
12	Sealing ring	PTEF
13	Locknut	A194 8/8M
14	Valve clack	PTEF
15	Valve body	304/316L

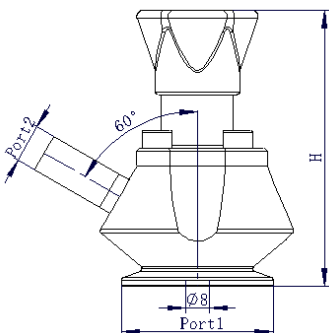
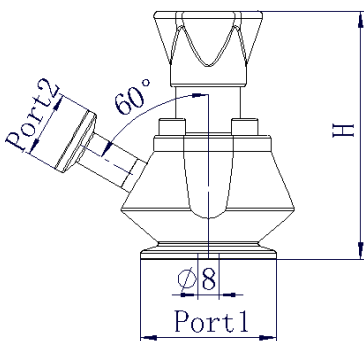


Outline Dimensional Drawing

Three-way sampling valve



Two-way sampling valve



ASME BPE

Dimension	H	W	Port1	Port2	Port3
DN6	85	102	50.4	1/4"	1/4"
DN10	85	102	50.4	3/8"	3/8"
Dn15	85	102	50.4	1/2"	1/2"

DIN

Dimension	H	W	PORT1	Port2	Port3
DN6	85	102	DN25	DN8	DN8
DN10	85	102	DN25	DN10	DN10
Dn15	85	102	DN25	DN15	DN15

ASME BPE

Dimension	H	W	Port1	Port2	Port3
DN6	85	102	50.4	6.53x0.98	6.53x0.98
DN10	85	102	50.4	9.53x0.98	9.53x0.98
Dn15	85	102	50.4	12.7x1.65	12.7x1.65

DIN

Dimension	H	W	Port1	Port2	Port3
DN10	85	102	50.4	12x1.5	12x1.5
Dn15	85	102	50.4	18x1.5	18x1.5

ASME BPE

Dimension	H	Port1	Port2
DN6	92	50.4	1/4"
DN10	92	50.4	3/8"
Dn15	92	50.4	1/2"

DIN

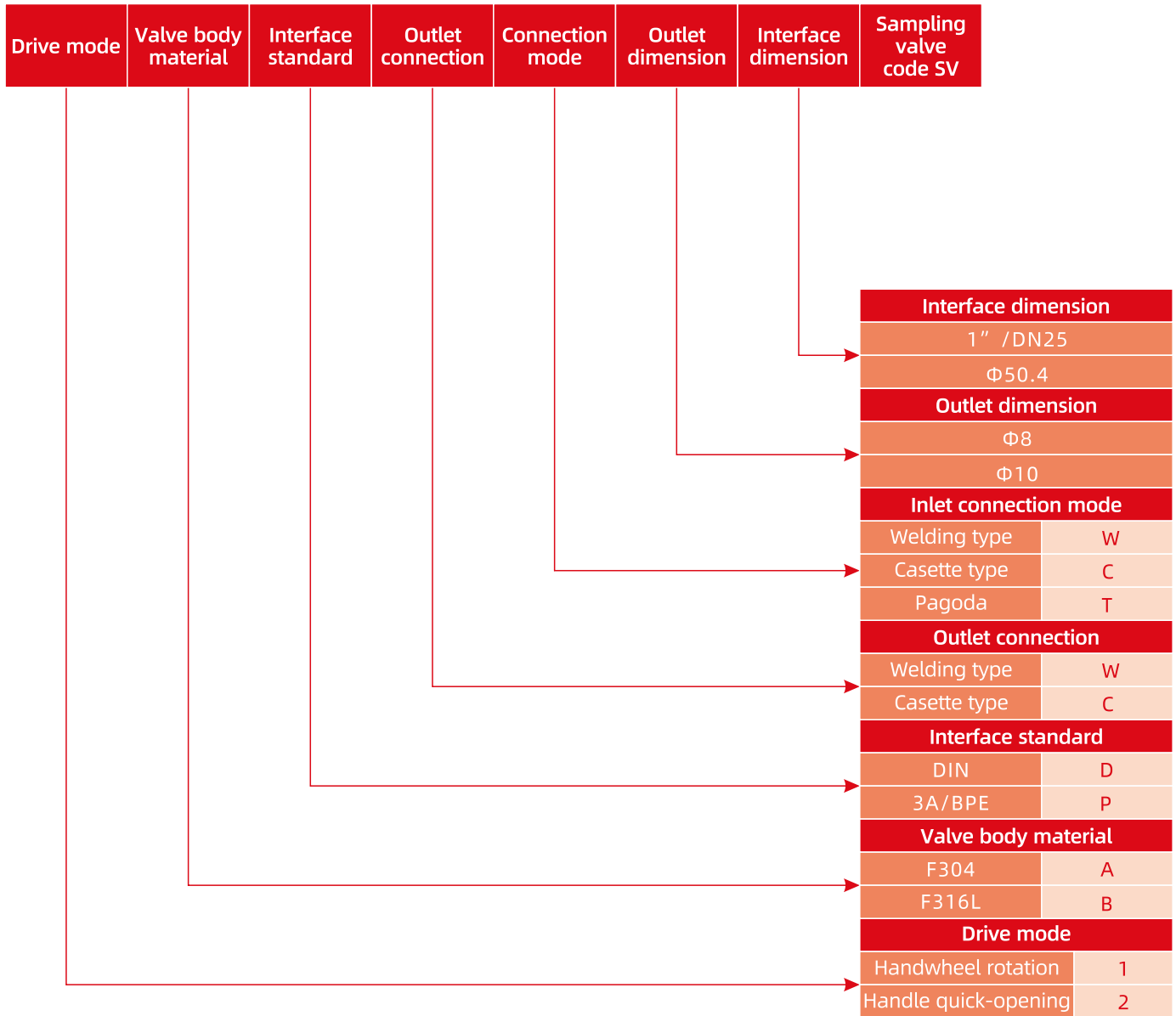
Dimension	H	Port1	Port2
DN6	92	DN25	DN8
DN10	92	DN25	DN10
Dn15	92	DN25	DN15

ASME BPE

Dimension	H	Port1	Port2
DN6	92	50.4	6.53x0.98
DN10	92	50.4	9.53x0.98
Dn15	92	50.4	12.7x1.65

DIN

Dimension	H	Port1	Port2
DN10	92	50.4	12x1.5
Dn15	92	50.4	18x1.5



SING-TAO

QUALITY FIRST



☎ Tel.: +0512-6529 3059

✉ Email: business@sing-tao.com.cn

📍 Address: Floor 5, Building 1, Genway Building 1, No. 188 Wangdun Road,
Suzhou District, China (Jiangsu) Pilot Free Trade Zone